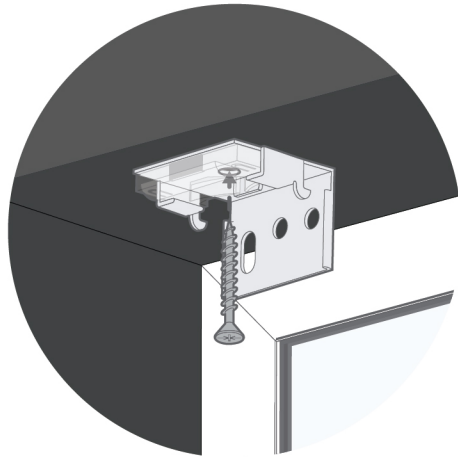
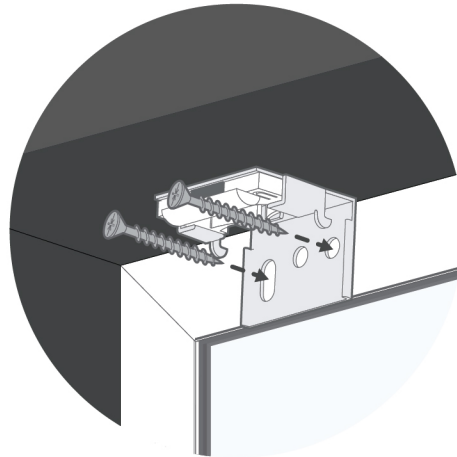


The brackets offer two methods of installation:



Top-Fix

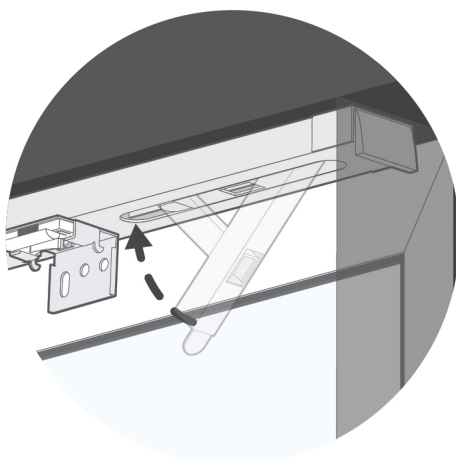


Face-Fix

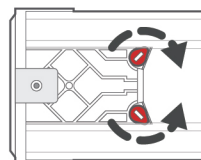


The outermost brackets should be mounted at least 5cm in from the ends of the blind. Any remaining brackets can be spaced evenly across the width of the blind.

IF YOU UPGRADED TO A Click 2 Fit™ RAIL



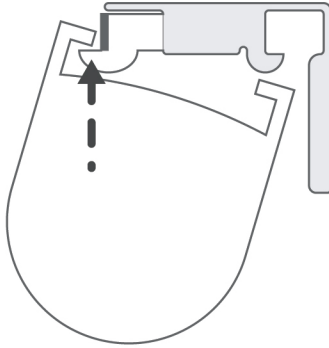
Hold the Click 2 Fit™ rail up against the top of the recess, then push the lever firmly upwards until the rail snaps into place. If the rail is not quite tight enough then this can be easily adjusted:



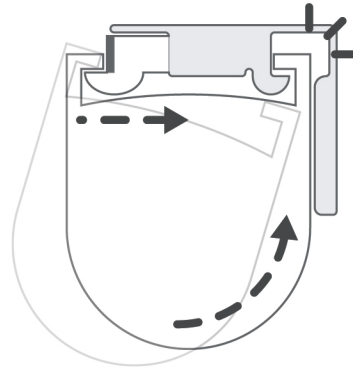
At the end of the rail opposite to the lever there is an adjustment block that allows you to fine-tune the fitting of the rail. Use a flat-head screwdriver to twist the small red plugs in toward the centre of the rail. Slide the block out of the rail by a few millimetres, then twist the red plugs back into their original position to fix the block in place. Make small adjustments only, repeating as necessary for a tight fit.

2

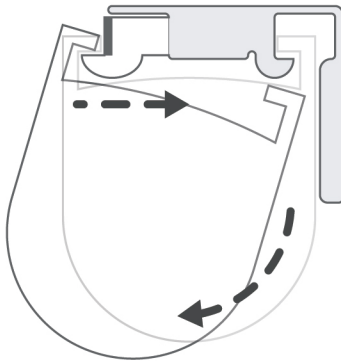
INSTALL THE BLIND



Situate the front lip of the headrail into the front of the bracket.



Push the back of the headrail upwards to lock it into the back of the bracket.

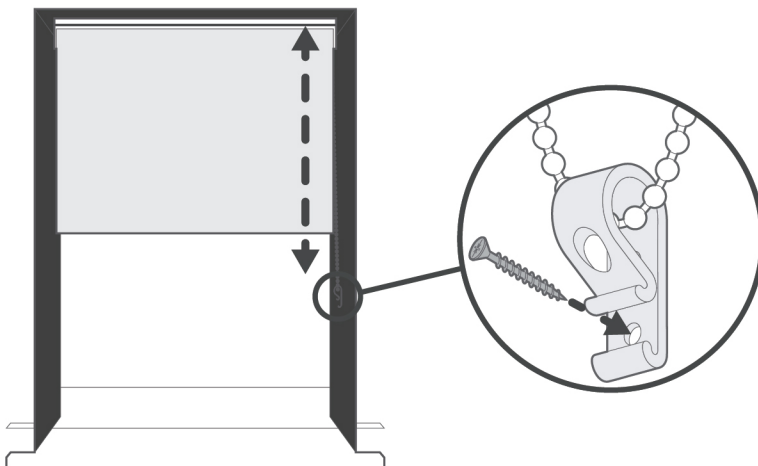


To release the blind from the brackets at any point after installing, push firmly against the blind's headrail to disengage it from the front of the bracket. At the same time, twist the back of the headrail downwards to release it from the back.

3

CHILD SAFETY

Cord Tensioner



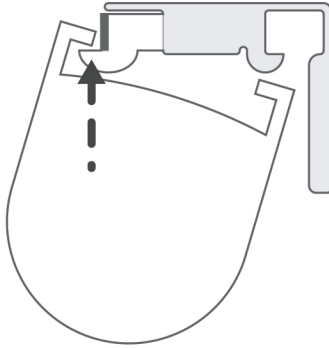
The cord retaining device must be installed at the maximum distance possible from the control mechanism to prevent looped cords from becoming slack.

Place the retaining device on the wall and mark the position of the screw hole(s) with a pencil.

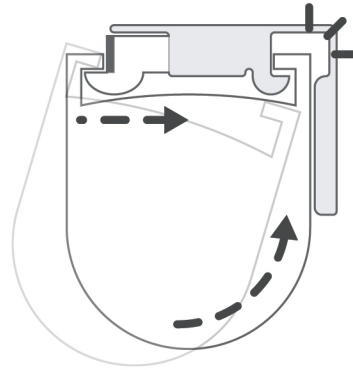
Attach the retaining device to the wall using the fixings provided.

2

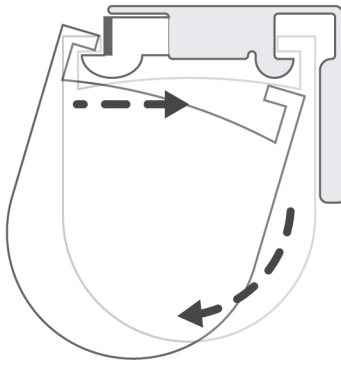
INSTALL THE BLIND



Situate the front lip of the headrail into the front of the bracket.



Push the back of the headrail upwards to lock it into the back of the bracket.

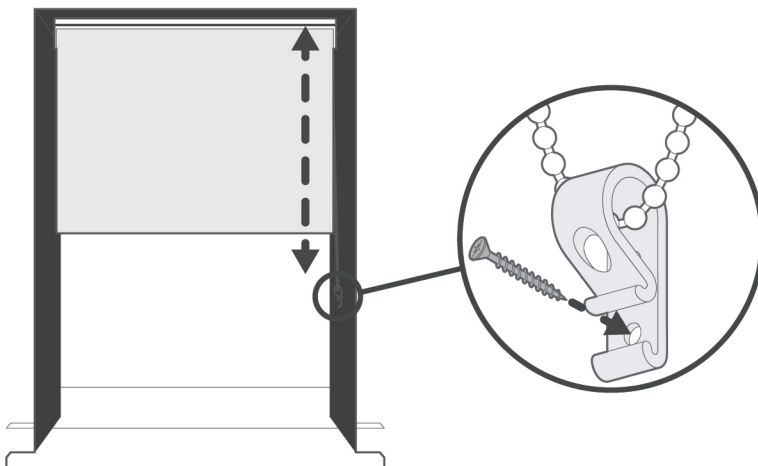


To release the blind from the brackets at any point after installing, push firmly against the blind's headrail to disengage it from the front of the bracket. At the same time, twist the back of the headrail downwards to release it from the back.

3

CHILD SAFETY

Cord Tensioner



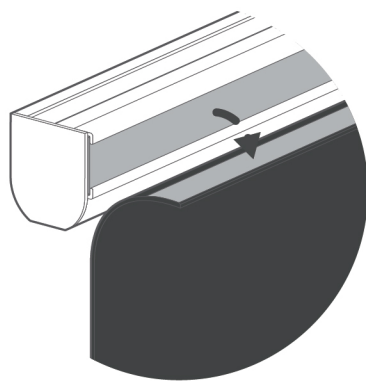
The cord retaining device must be installed at the maximum distance possible from the control mechanism to prevent looped cords from becoming slack.

Place the retaining device on the wall and mark the position of the screw hole(s) with a pencil.

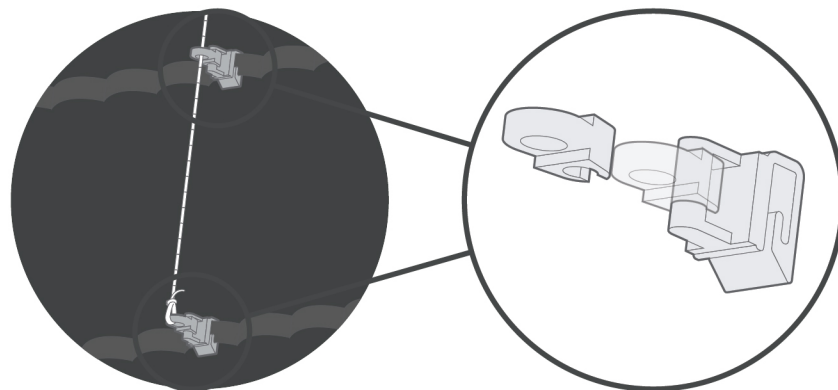
Attach the retaining device to the wall using the fixings provided.

Removing the fabric for cleaning

If you need to remove the fabric, to take it to a dry-cleaner for example, then that's easy.



The fabric attaches at the front with velcro, simply peel the fabric away from the headrail.



At the back, the cords attach to the fabric using clips, which double as a child-safety feature. These clips are in two parts, and can be easily unclipped to separate the cords from the fabric.